



MONTANA STATE UNIVERSITY

ORIENTATION 2017

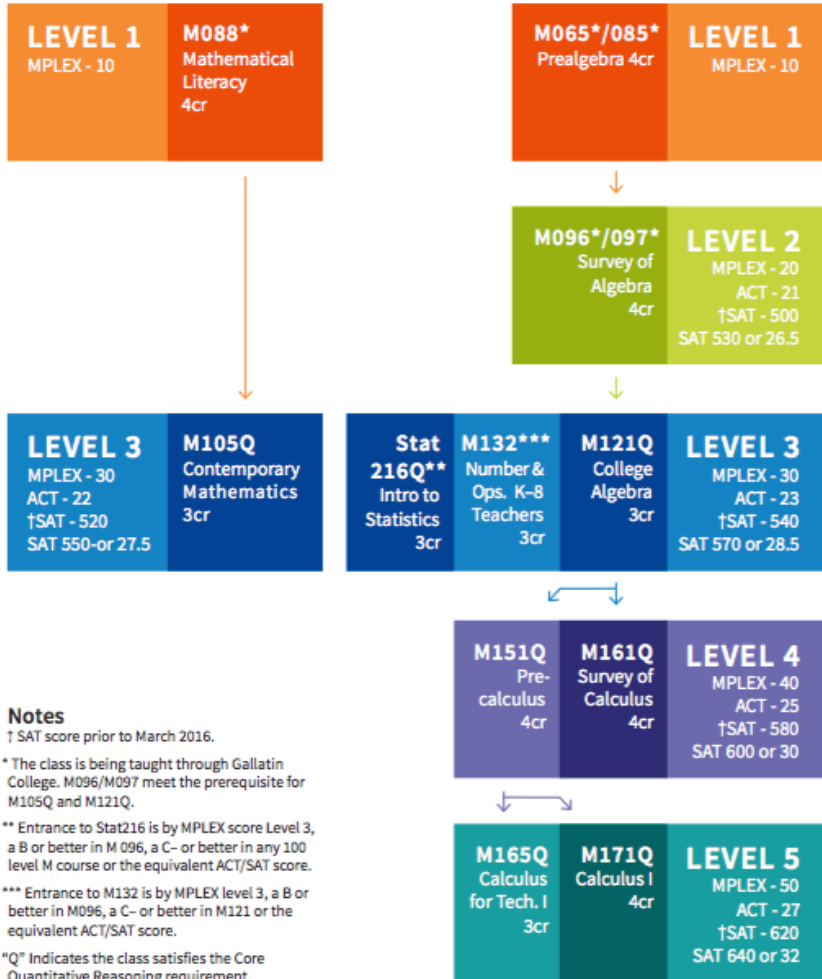
College of Engineering
Math Placement & Your Degree



Overview

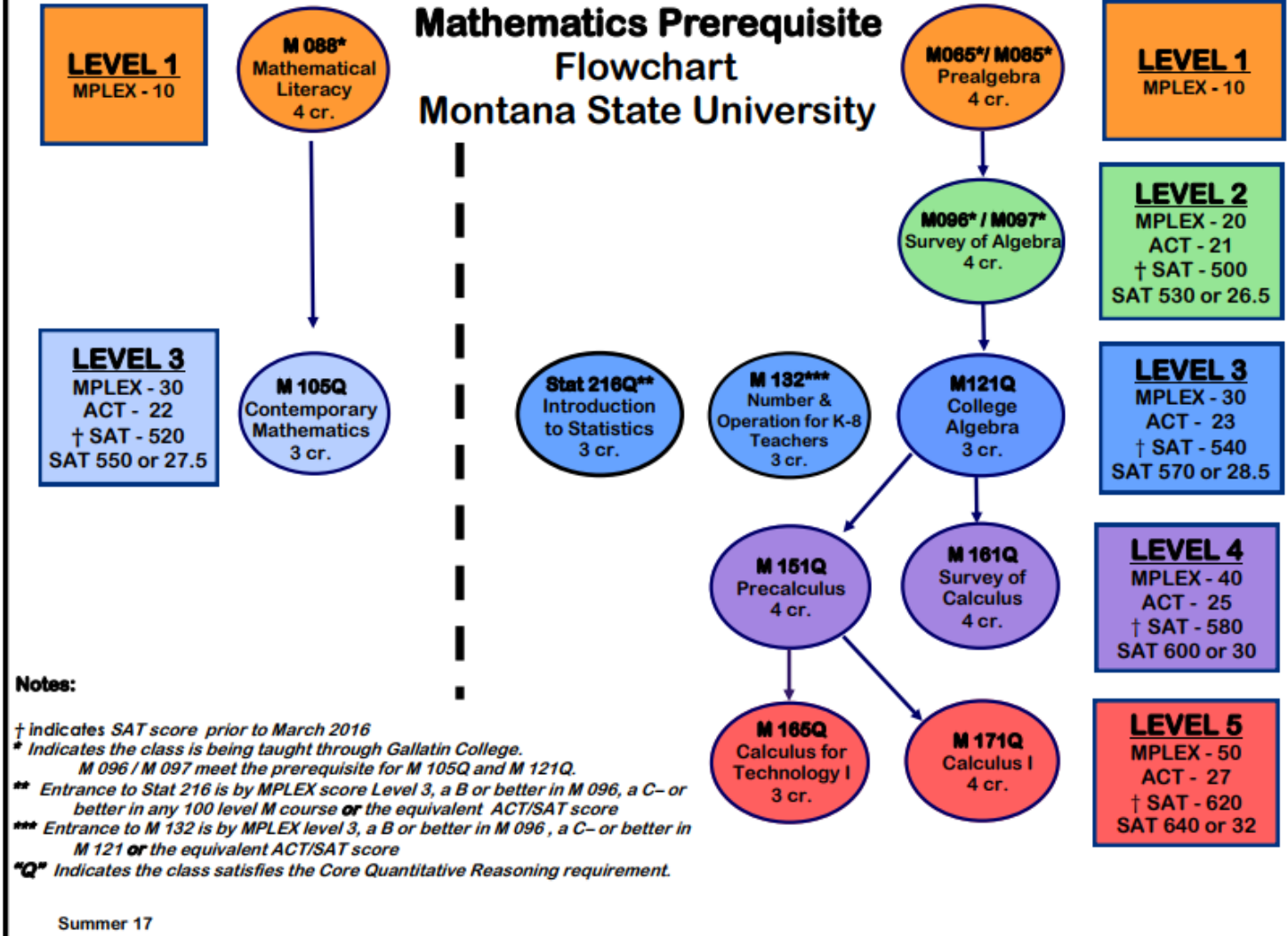
- Clarify math requirements for engineering and computer science majors.
- Confirm math placement
- Identify your math course for Fall 2017

Math Prerequisite Flowchart



Notes
 † SAT score prior to March 2016.
 * The class is being taught through Gallatin College. M096/M097 meet the prerequisite for M105Q and M121Q.
 ** Entrance to Stat216 is by MPLEX score Level 3, a B or better in M 096, a C- or better in any 100 level M course or the equivalent ACT/SAT score.
 *** Entrance to M132 is by MPLEX level 3, a B or better in M096, a C- or better in M121 or the equivalent ACT/SAT score.
 "Q" Indicates the class satisfies the Core Quantitative Reasoning requirement.

Mathematics Prerequisite Flowchart Montana State University



Notes:
 † indicates SAT score prior to March 2016
 * Indicates the class is being taught through Gallatin College.
 M 096 / M 097 meet the prerequisite for M 105Q and M 121Q.
 ** Entrance to Stat 216 is by MPLEX score Level 3, a B or better in M 096, a C- or better in any 100 level M course or the equivalent ACT/SAT score
 *** Entrance to M 132 is by MPLEX level 3, a B or better in M 096 , a C- or better in M 121 or the equivalent ACT/SAT score
 "Q" Indicates the class satisfies the Core Quantitative Reasoning requirement.

Summer 17

Current Math Placement

M 121Q
College
Algebra
3 cr.

Level 3
MPLEX – 30
ACT – 23
†SAT – 540
SAT 570 or 28.5

M 151Q
Precalculus
4 cr.

Level 4
MPLEX – 40
ACT – 25
†SAT – 580
SAT 600 or 30

M 165Q
Calculus for
Technology I
3 cr.

M 171Q
Calculus I
4 cr.

Level 5
MPLEX – 50
ACT – 27
†SAT – 620
SAT 640 or 32

Determined by

ACT/SAT Scores
MPLEX Score

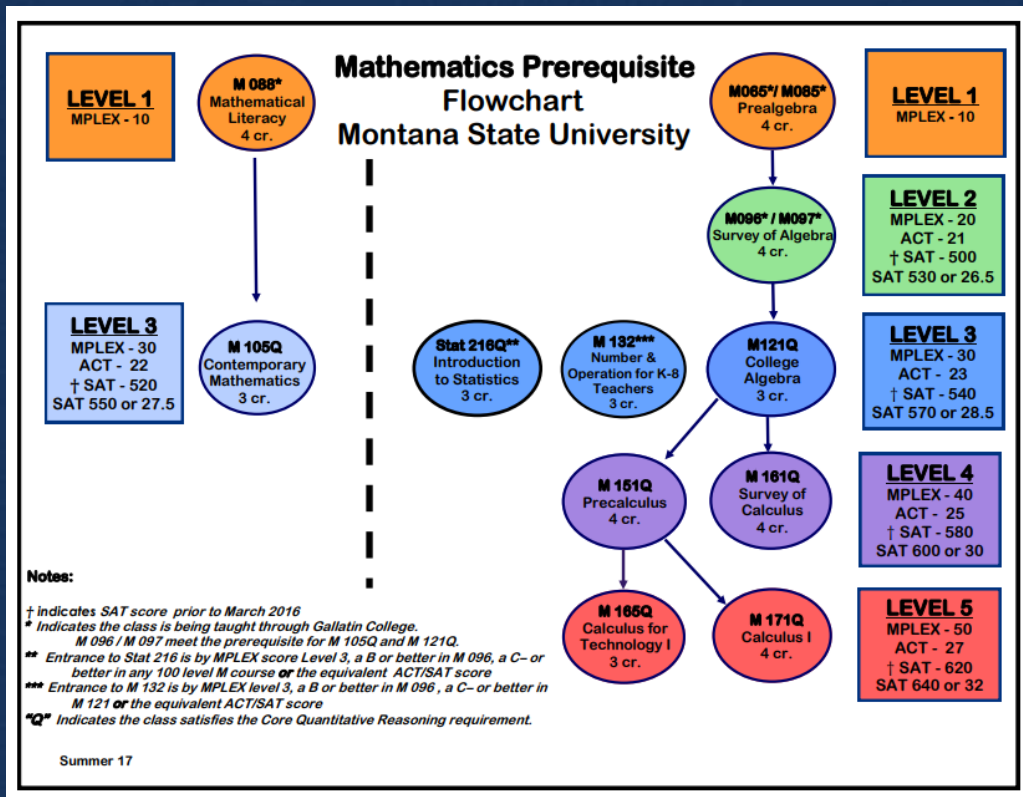
Prior College-Level Course(s)

- Advanced Placement credit: Score 3+
- International Baccalaureate credit: Score 5+
- Dual Enrollment credit: minimum grade: C and above

No MPLEX Needed if:

ACT/SAT score or Dual Enrollment credit places you at or above Math Level for your major.

Math Level and Science



Math Level 3

CHMY 121IN – Intro to General Chemistry

Math Level 4

CHMY 141 – College Chemistry I
PHSX 205 – College Physics I

Math Level 5

Physics I (w/calculus)

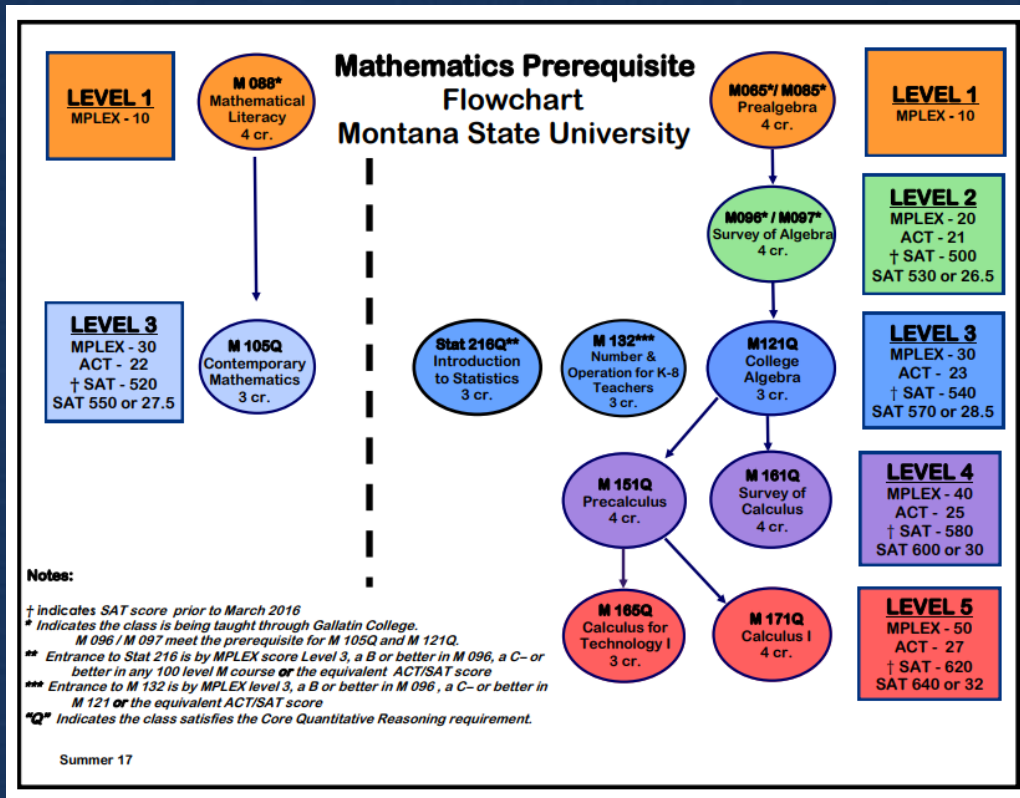
Math Level and Engineering/Computer Science Content

Math Level 4

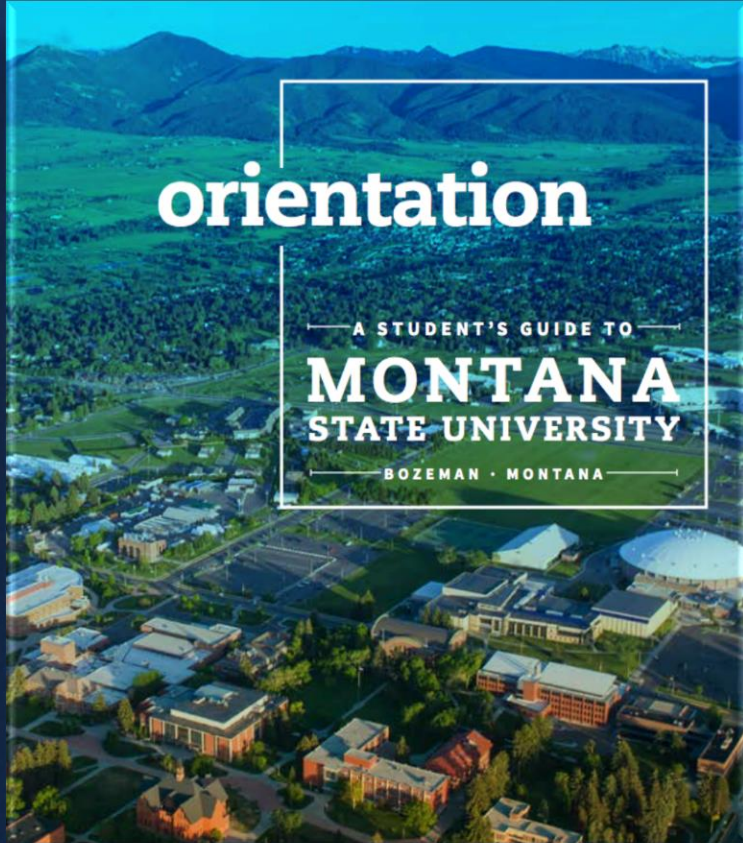
Construction Engineering Technology

Math Level 5

Biological Engineering
 Chemical Engineering
 Civil Engineering (CE and CE-BREN)
 Computer Engineering
 Computer Science (Interdisciplinary & Professional)
 Electrical Engineering
 Financial Engineering
 Industrial & Management Systems Engineering
 Mechanical Engineering
 Mechanical Engineering Technology



Determine Your Math Placement



Registration and Advising Written Report (RAWR)

Name: _____ ID: _____

College _____ Group: _____

Dept: _____ Net ID: _____

Major: _____ Please set your password at: password.montana.edu

Orientation Housing Assignment

Test Scores

ACT				SAT					
English	Math	Writing Sub	Composite	NEW SAT TOTAL	Critical Reading	Math	Writing	Composite	Essay Subscore

Writing Placement

Your writing placement is: _____

Math Placement

Your math placement level is: _____

My major requires math level _____
I need to take the MPLEX (Yes) (No)

College Credit

Will you have earned college credit for English or math courses from AP, IB or dual enrollment? If so, please list below:

Placement Below Your Major's Starting Point

Take Prerequisite Course(s)

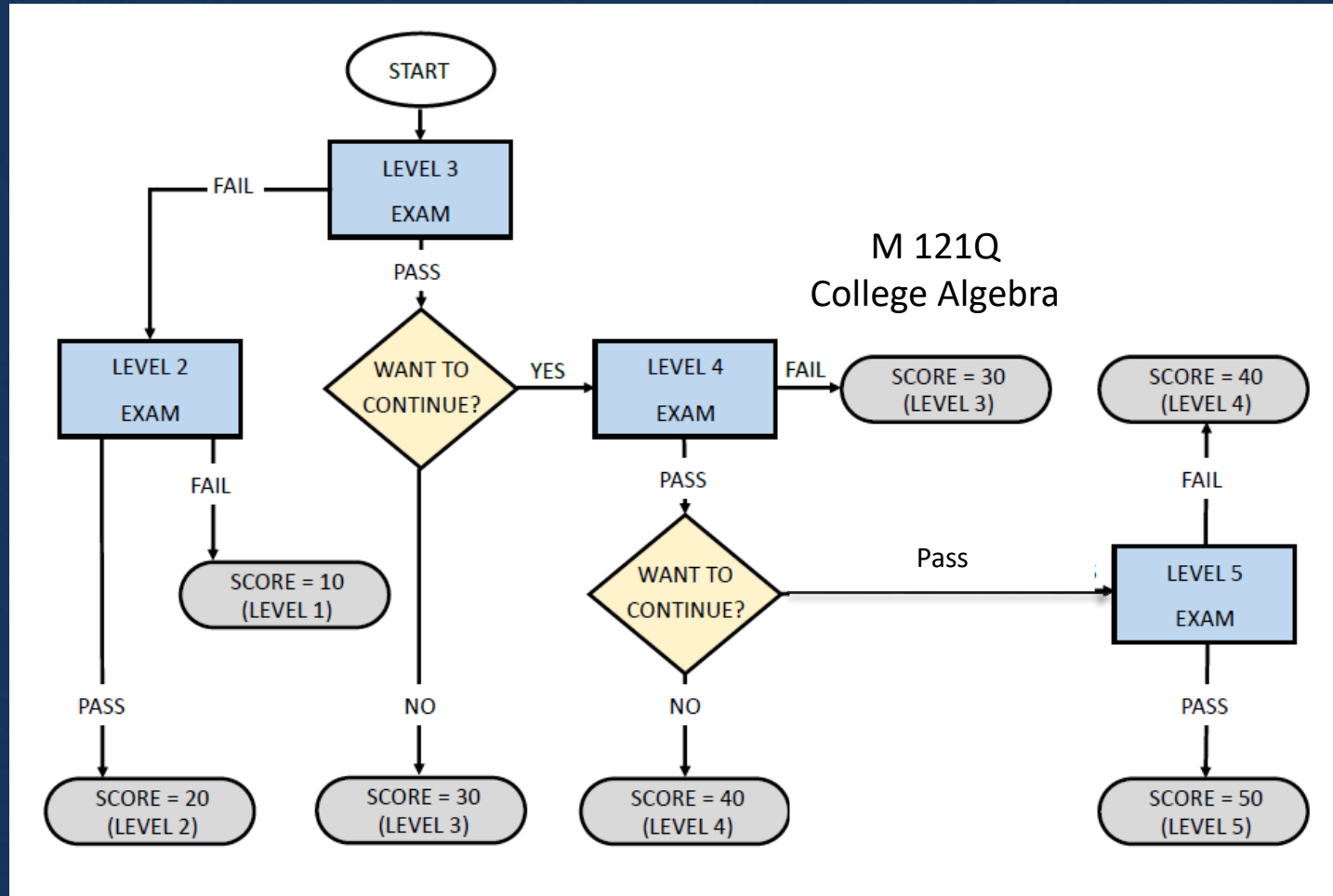
- If you feel your placement represents your current math skills and background
- If you know you need to build a stronger math foundation

OR

Take the MPLEX

- If you took the ACT/SAT junior year AND had additional math in your senior year
- If you feel your initial placement doesn't reflect your math background

MPLEX – It's a Smart Test



M 121Q
College Algebra

M 151Q
Pre-Calculus

M 151Q
Pre-Calculus

M 171Q
Calculus I

MPLEX Results

- You receive your results when you finish the MPLEX
- If you meet the placement level for your major, you'll be able to register for the recommended courses for your major
- Your advisor will discuss your courses with you tomorrow during your advising meeting

MPLEX Results

If you do not meet the placement requirement through the MPLEX, your advisor will discuss your options with you during your advising session tomorrow:

- 1) Take the prerequisite course(s)
- 2) Use EdReady, free online math tutorial, so you can re-attempt the MPLEX
- 3) Retake for free in August at Fall Orientation
- 4) Schedule an individual MPLEX through Testing Services (\$15)

COEX

COEX

Preparing Students for Success in Engineering and Computer Science



Summer Study & Skill Building



Free to MSU Students

<http://www.montana.edu/edready/>

What's Next?

MI/PLEX

Academics 1